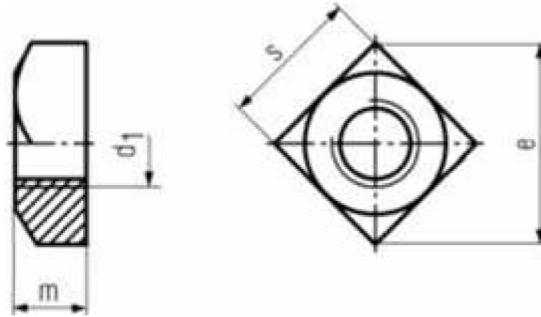


DIN 557 Specifications



All measurements in millimeters (mm)

d_1	s	e	m
M5	8	11.3	4
M6	10	14.1	5
M8	13	18.4	6.5
M10	16	22.6	8
M12	18	25.4	10
M16	24	33.9	13

All information is strictly informative

