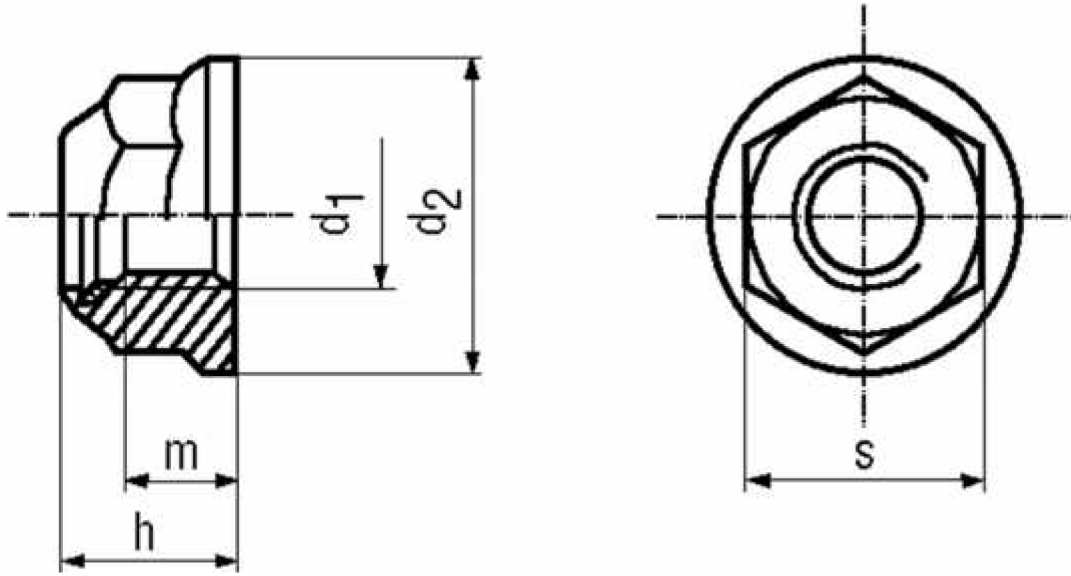


## DIN 6926 Specifications



All measurements in millimeters (mm)

d	d <sub>2</sub> max.	h max.	m	s max
M5	11.8	7.1	4.7	8
M6	14.2	9.1	5.7	10
M8	17.9	11.1	7.6	13
M10	21.8	13.5	9.6	15
M12	26	16.1	11.6	18
M14	29.9	18.2	13.3	21
M16	34.5	20.3	15.3	24

All information is strictly informative

